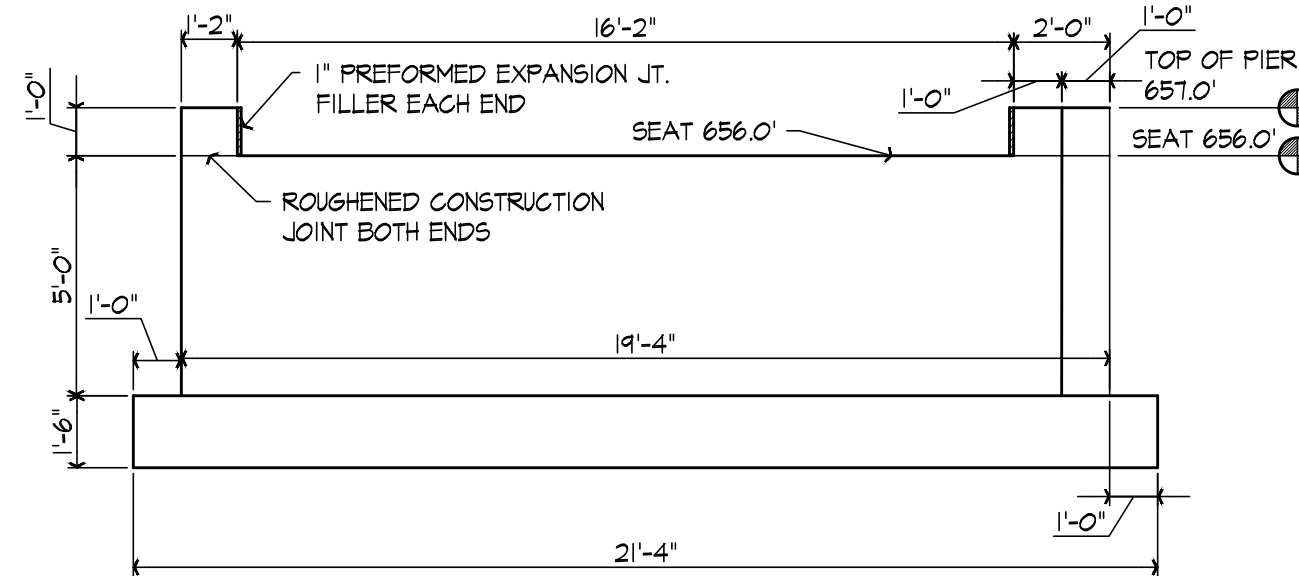
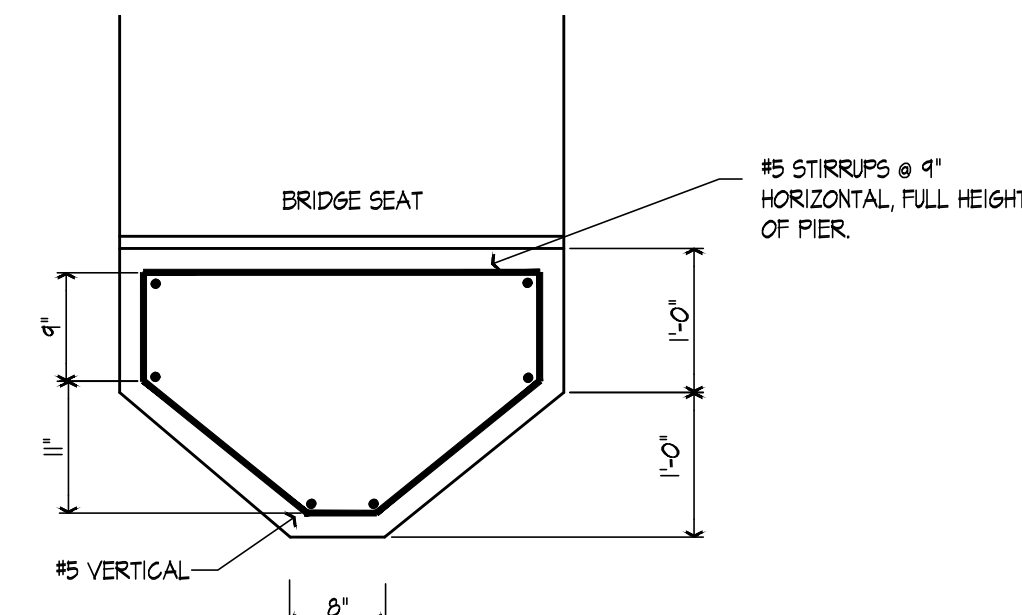


PIER PLAN VIEW AND ANCHOR LOCATIONS

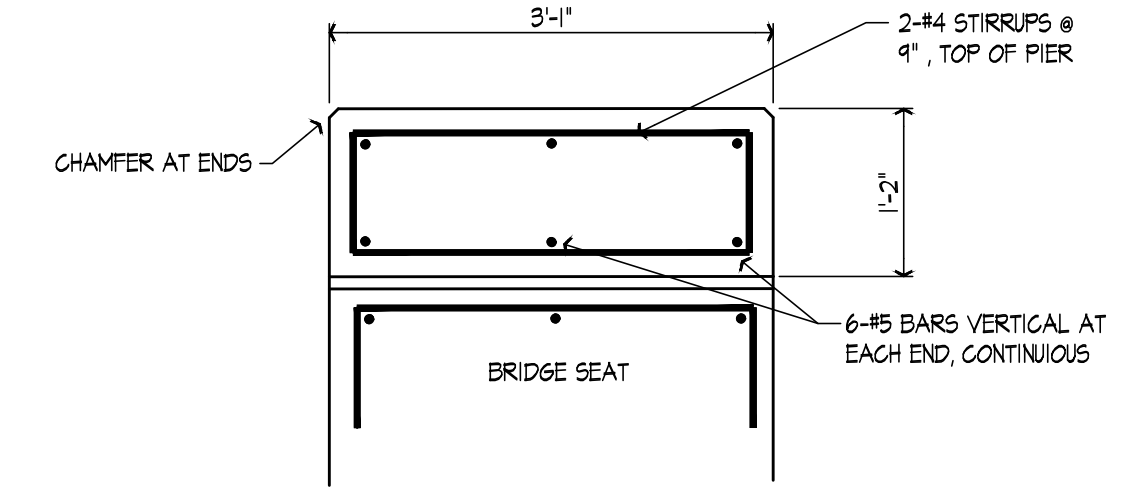
PIER PLAN 1
SCALE: 1/4" = 1' - 0" S-2



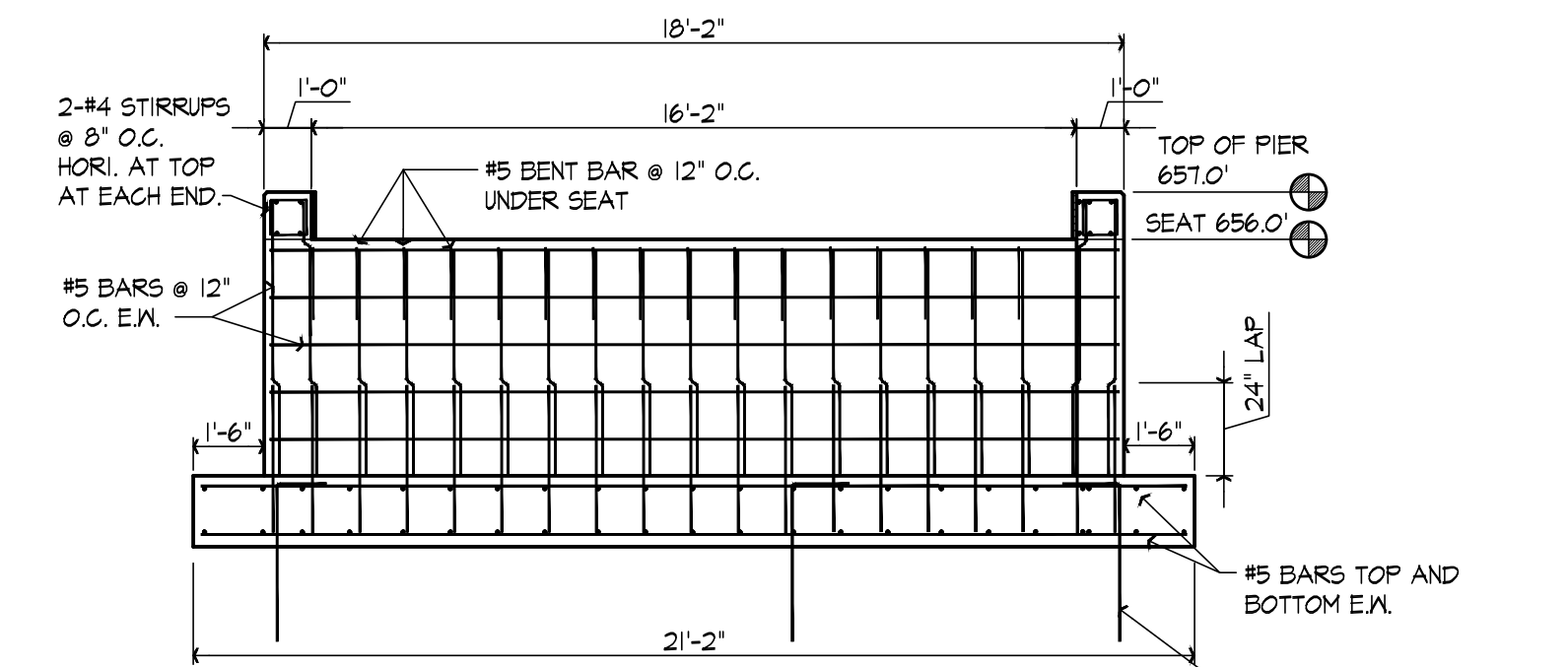
PIER ELEVATION 2
SCALE: 1/4" = 1' - 0" S-2



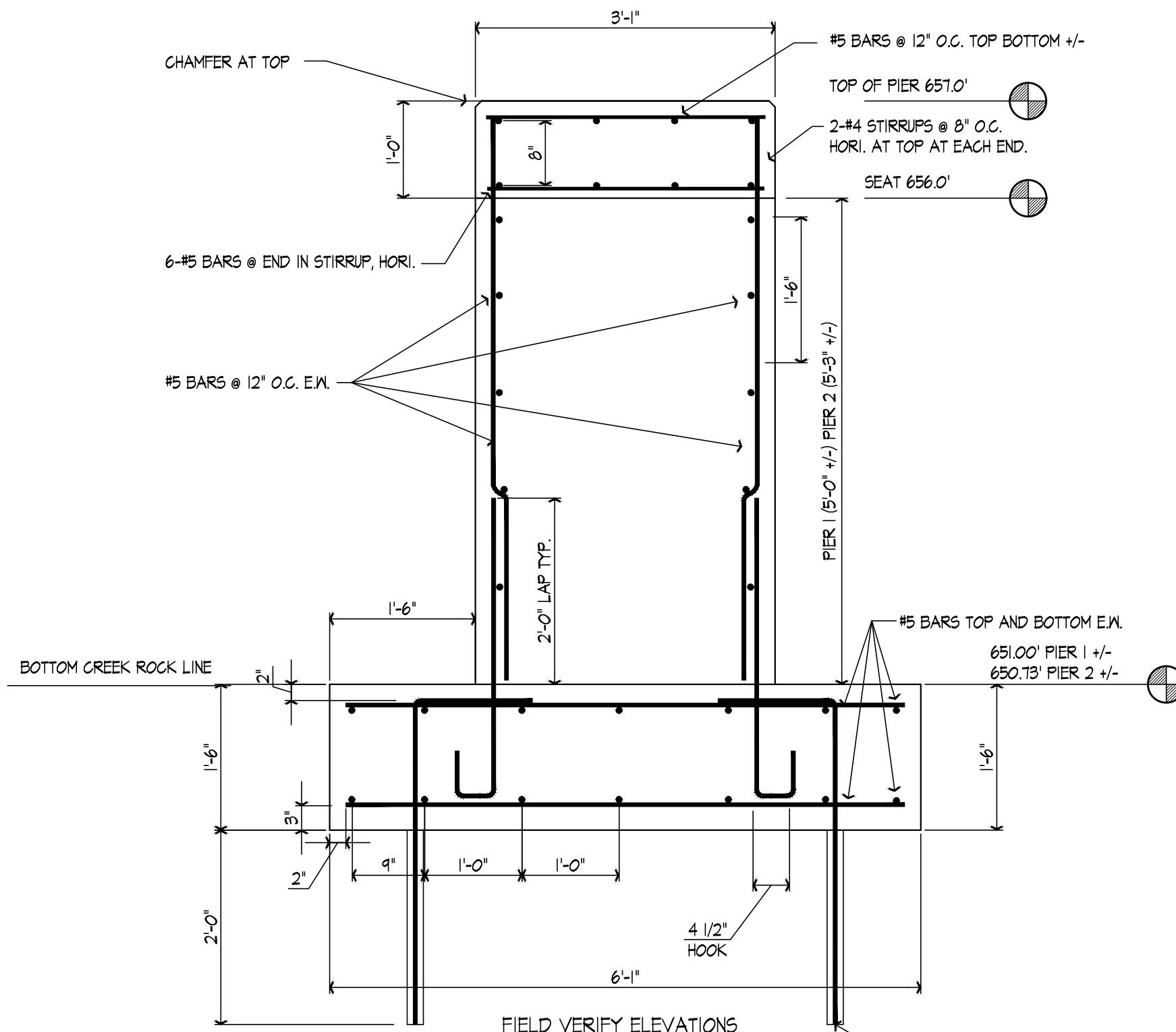
DETAIL PIER UP STREAM END
SCALE: 3/4" = 1' - 0" S-2



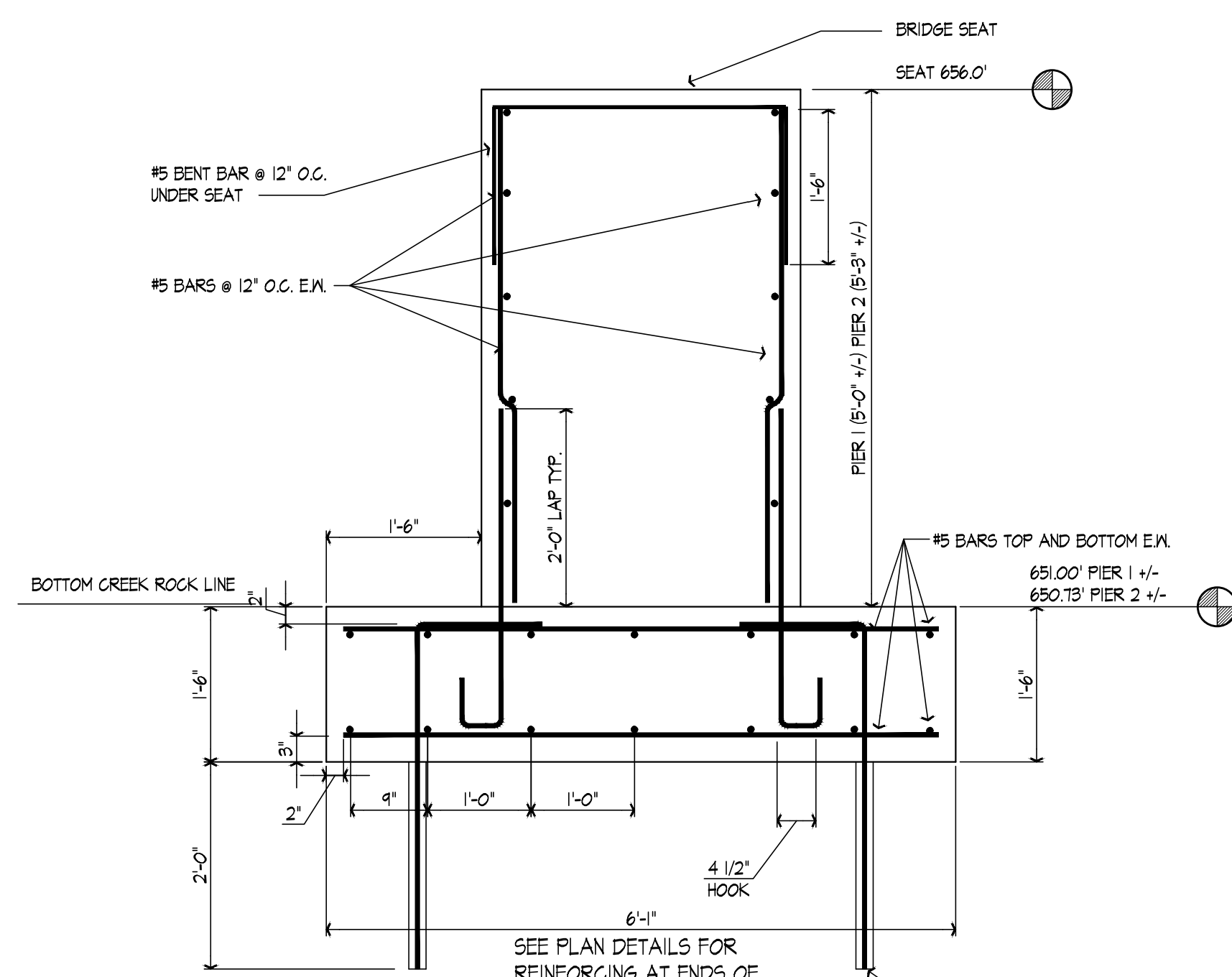
DETAIL PIER DOWN STREAM END
SCALE: 3/4" = 1' - 0" S-2



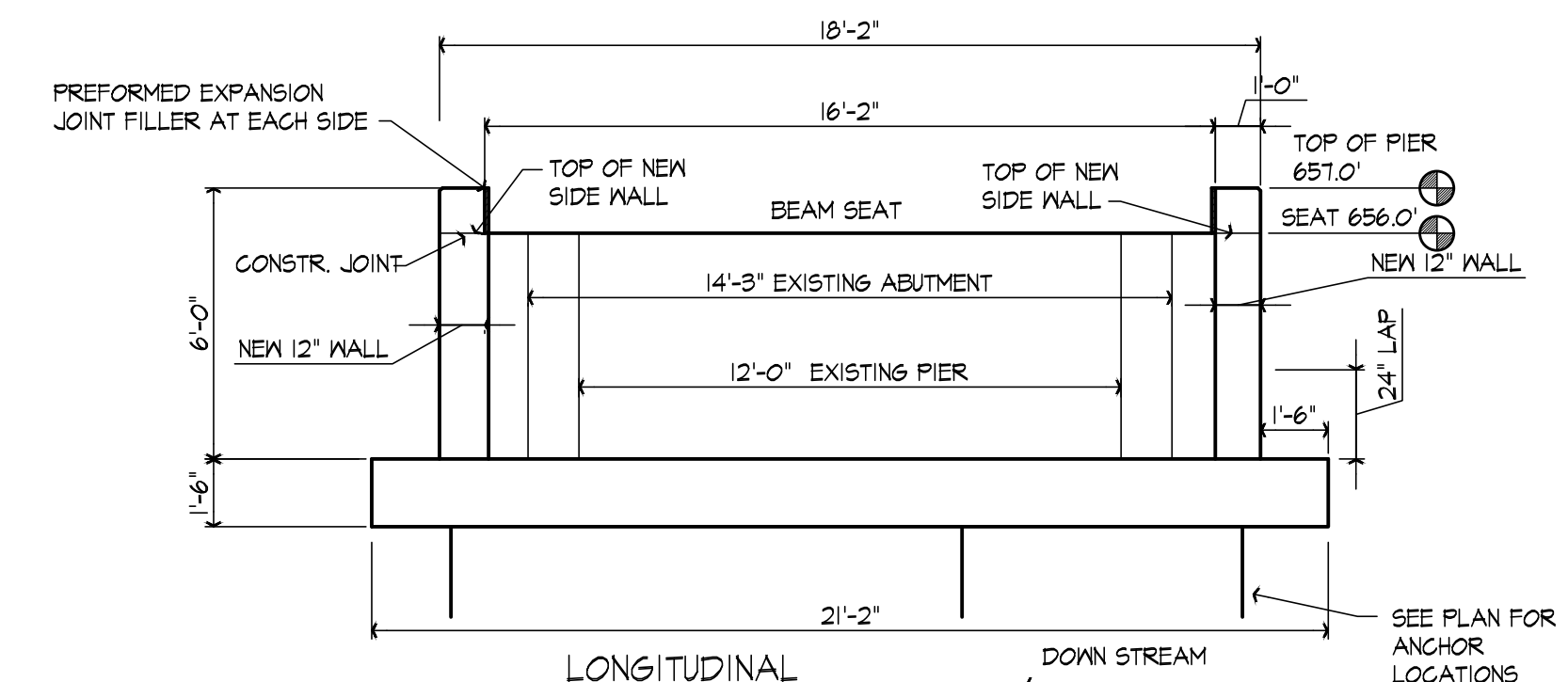
LONGITUDINAL ABUTMENT
SCALE: 1/4" = 1' - 0" S-2



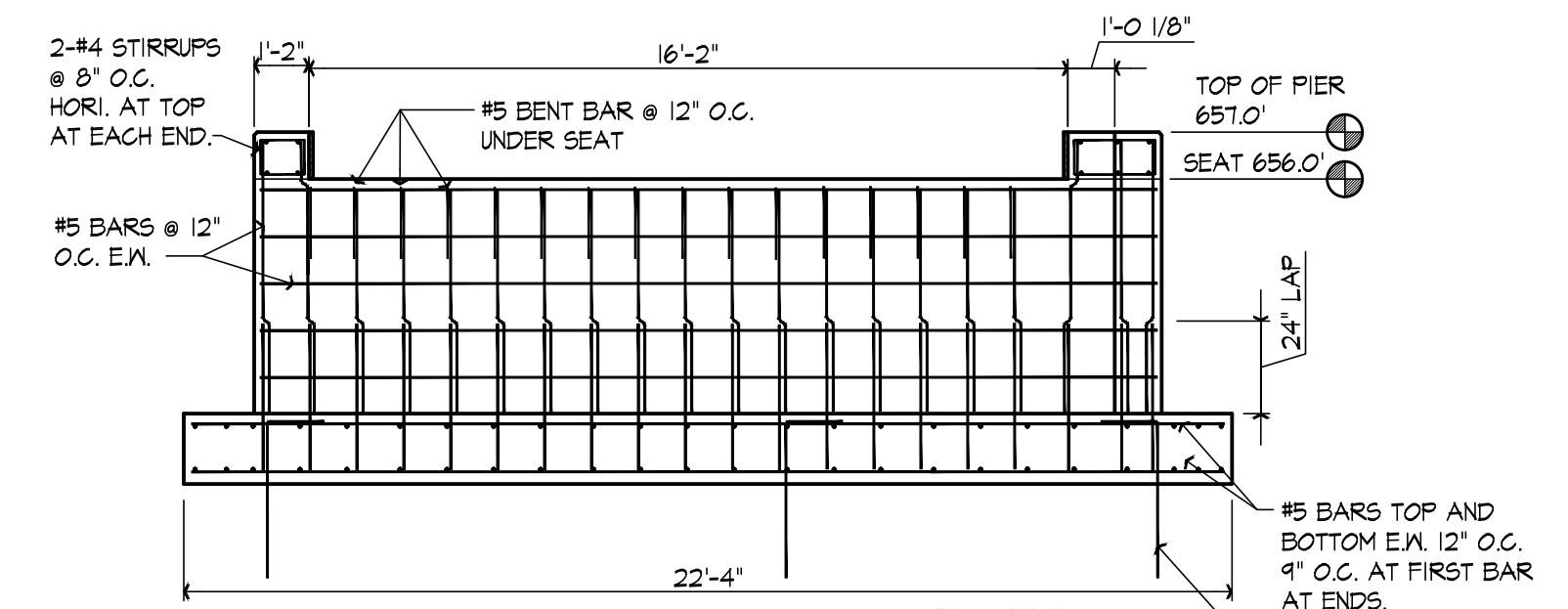
PIER - TRANSVERSE SECTION @ END
SCALE: 3/4" = 1' - 0" S-2



PIER - TRANSVERSE SECTION @ MIDDLE
SCALE: 3/4" = 1' - 0" S-2



LONGITUDINAL WEST ABUTMENT ELEVATION
SCALE: 1/4" = 1' - 0" S-2



LONGITUDINAL PIER SECTION
SCALE: 1/4" = 1' - 0" S-2

PROPOSED BRADSHAW MILL BRIDGE
BLUEGRASS CROSSINGS REGIONAL BUSINESS CENTRE
GREEN RIVER REGIONAL INDUSTRIAL AUTHORITY
GARRARD COUNTY KENTUCKY

DATE	REVISION	BY
8-4-2016	RECORDED SET	

DESIGN DOCUMENTS: User agrees and assumes responsibility and liability for problems which arise from failure to follow these plans, specifications and the design intent they convey.
COPYRIGHT © 2016, M&E Architects, Inc. All rights reserved. No part of this document may be reproduced, stored in a retrieval system, or transmitted in any form or by any means, electronic, mechanical, photocopying, recording, or by any information storage and retrieval system, without the prior written permission of M&E Architects, Inc.

PROJECT NO.	DESIGNED BY	CHECKED BY	REVIEWED BY	DATE	SCALE
2063-56	GR	MSE	GR	AUGUST 2016	AS NOTED

Engineers
Architects
Planners
M&E
OF KENTUCKY, INC.
624 Wellington Way
Lexington, KY 40503
www.mseinc.com
Phone: (650)223-5664
Fax: (650)223-2607

DRAWING NO.
S-2
SHEET OF